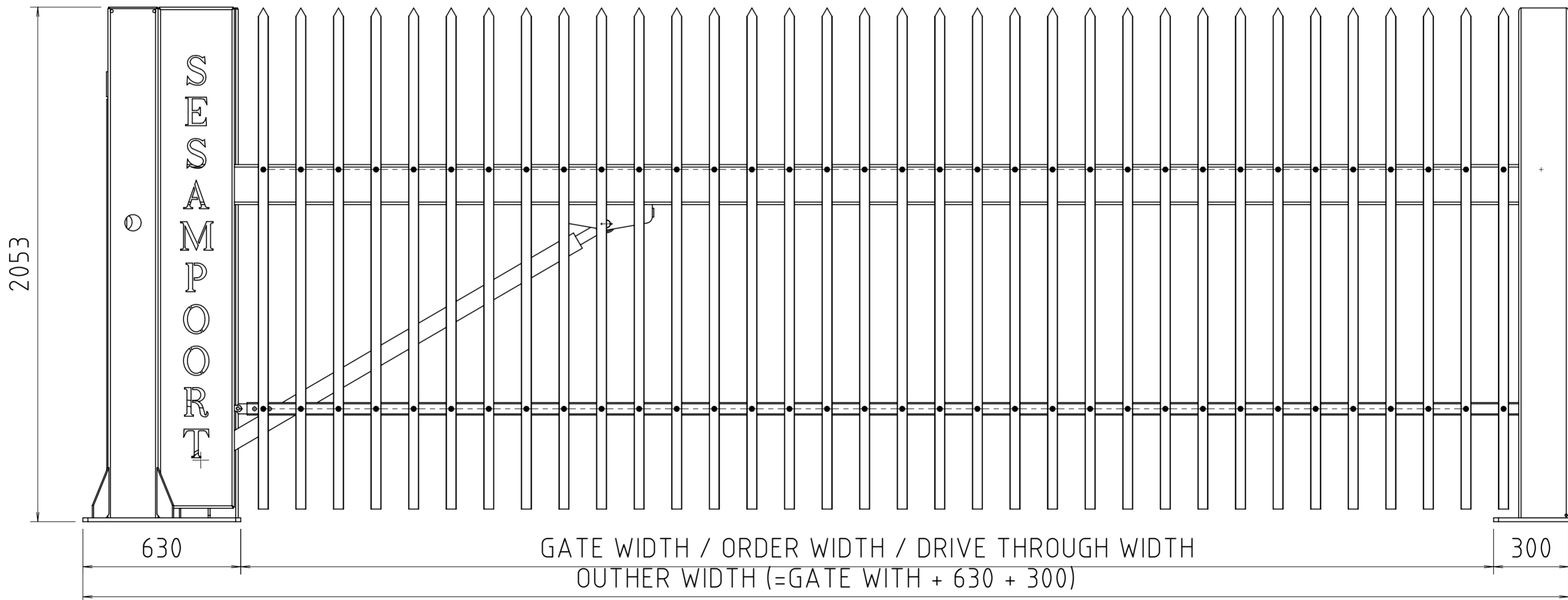
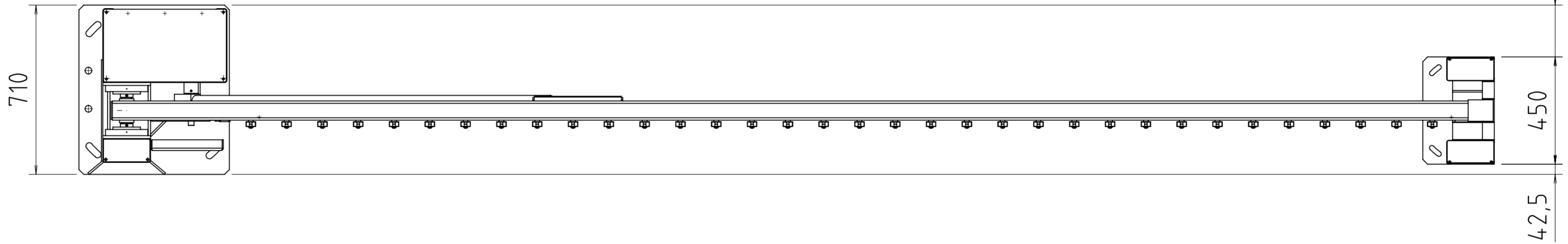


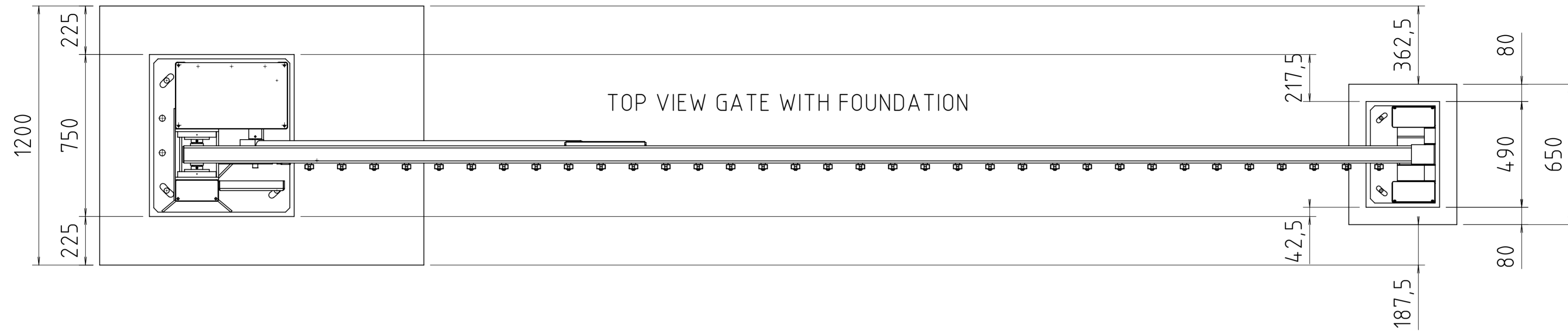
NO.	PART NUMBER	WITH FOUNDATION/QTY.
1	1000- Assembly main column left	1
2	2000- Assembly gate left	1
3	3000- Assembly closing column left	1
4	0090- foundation main column	1
5	0095- foundation closing column	1

TOP VIEW GATE

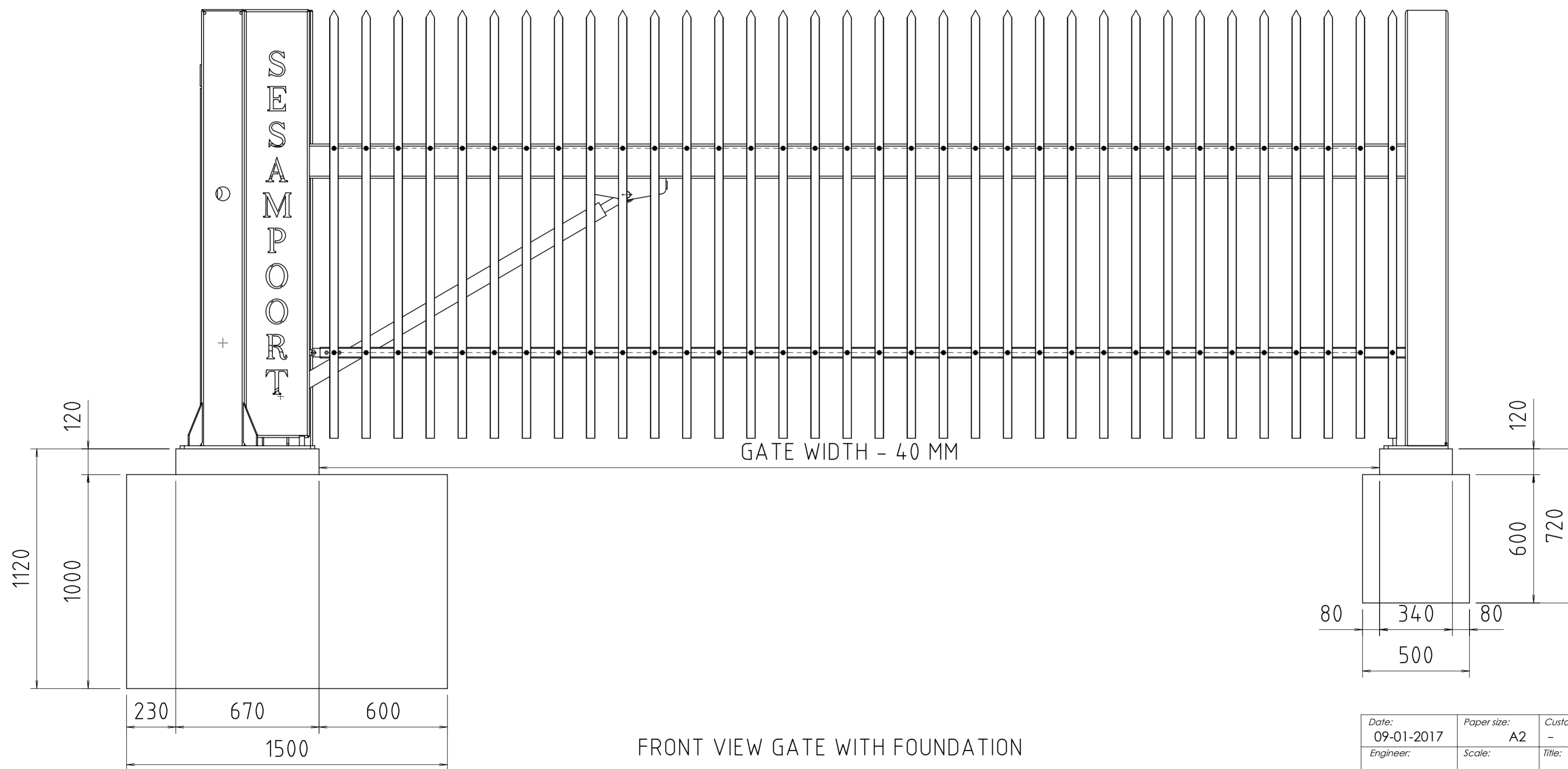


FRONT VIEW GATE

Date: 09-01-2017	Paper size: A2	Customer: -
Engineer:	Scale: SCALE:1:15	Title:
Revision:		DWG No: 0000- Main assembly Left

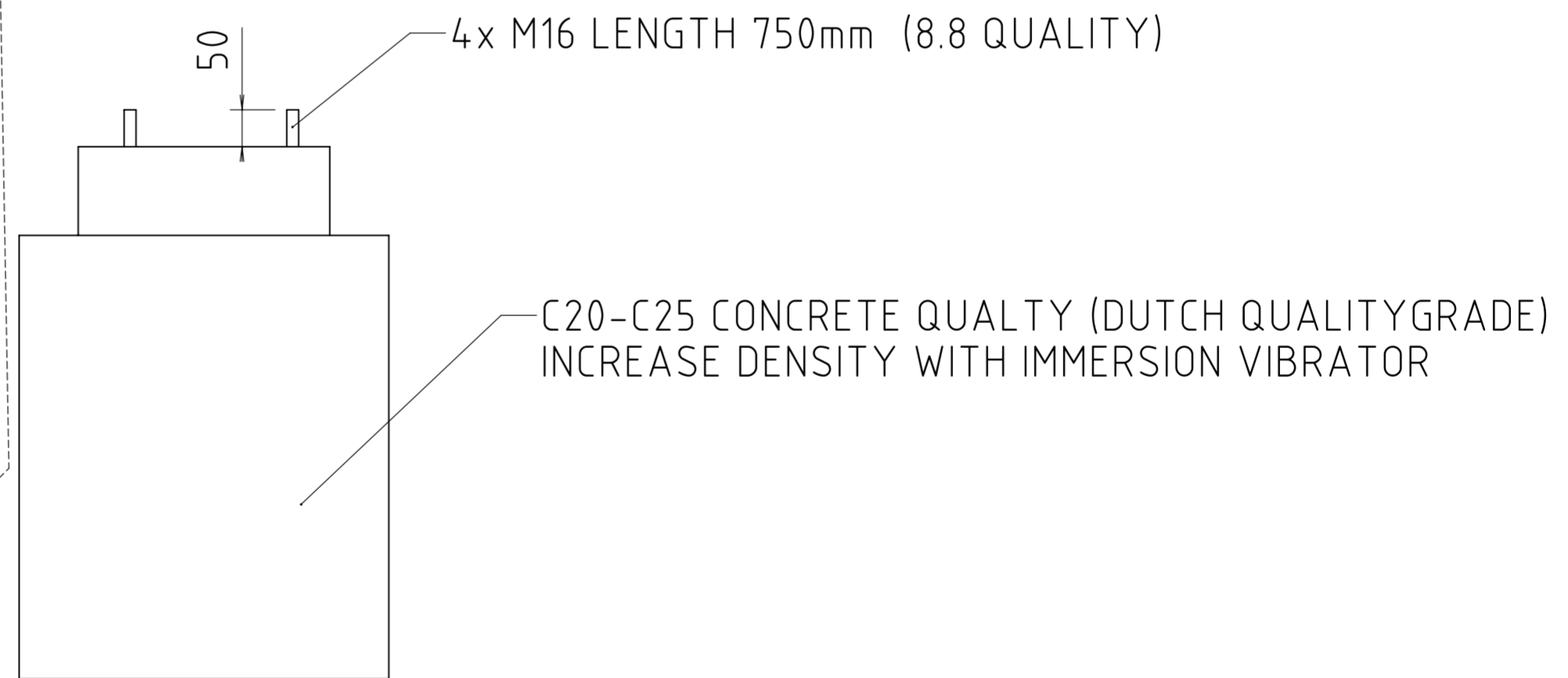
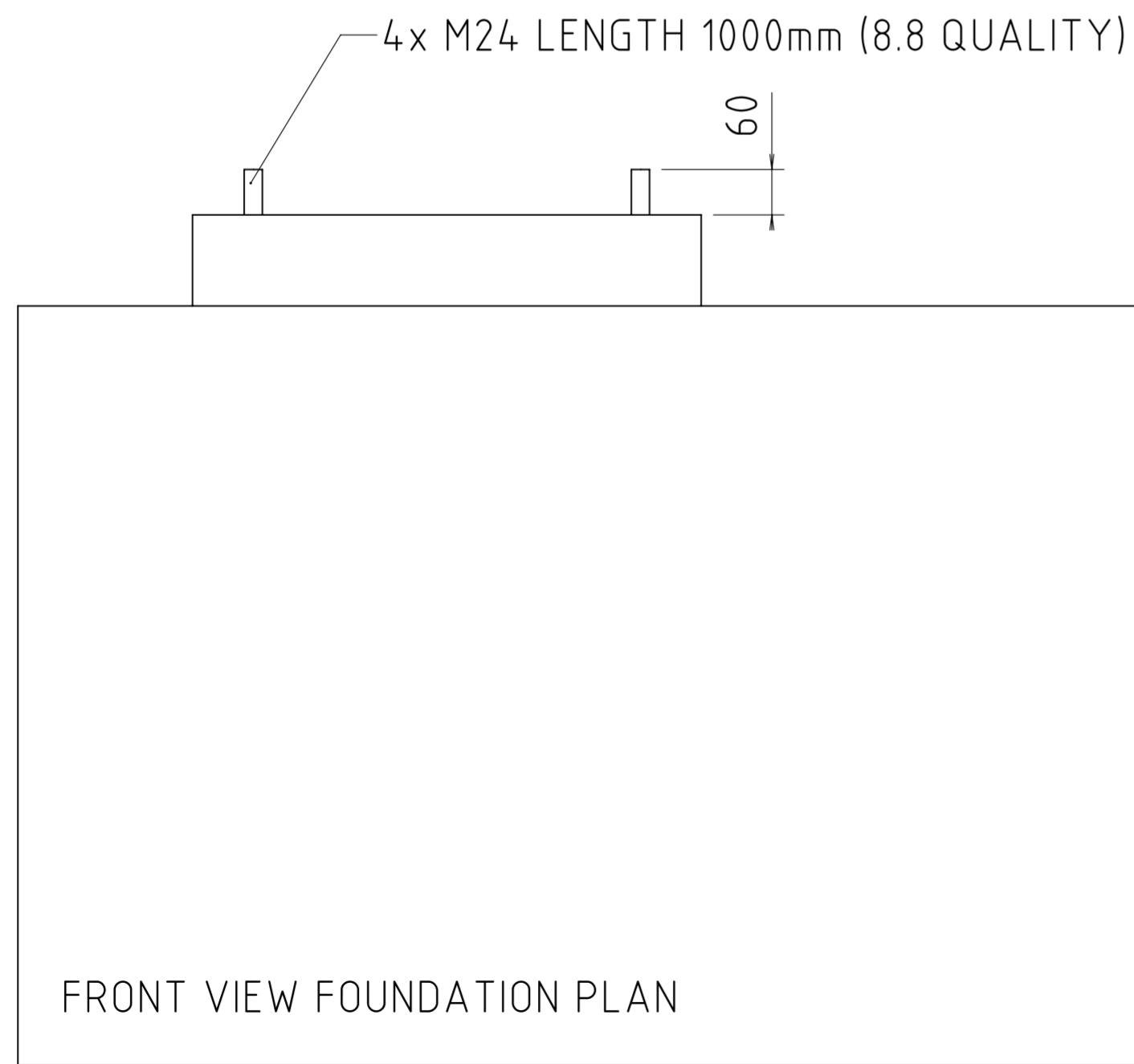
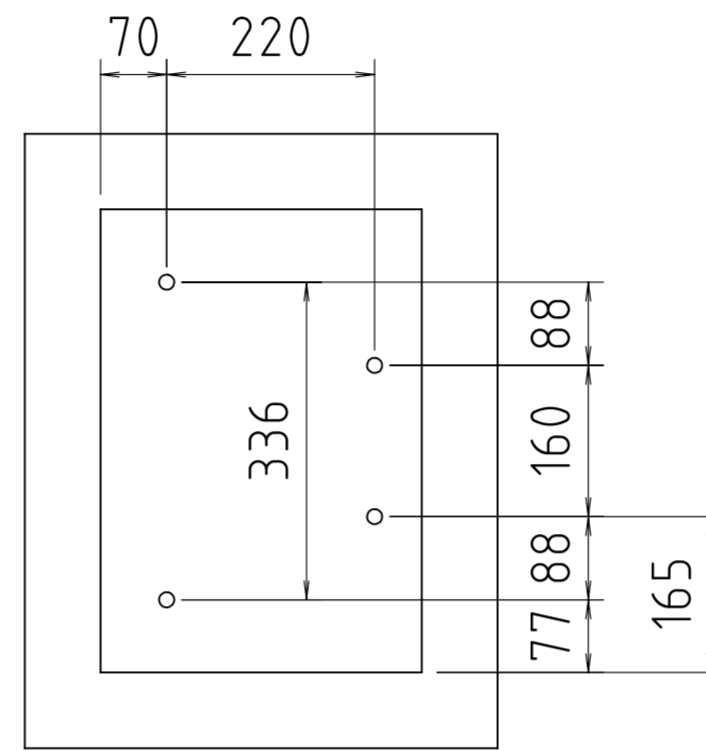
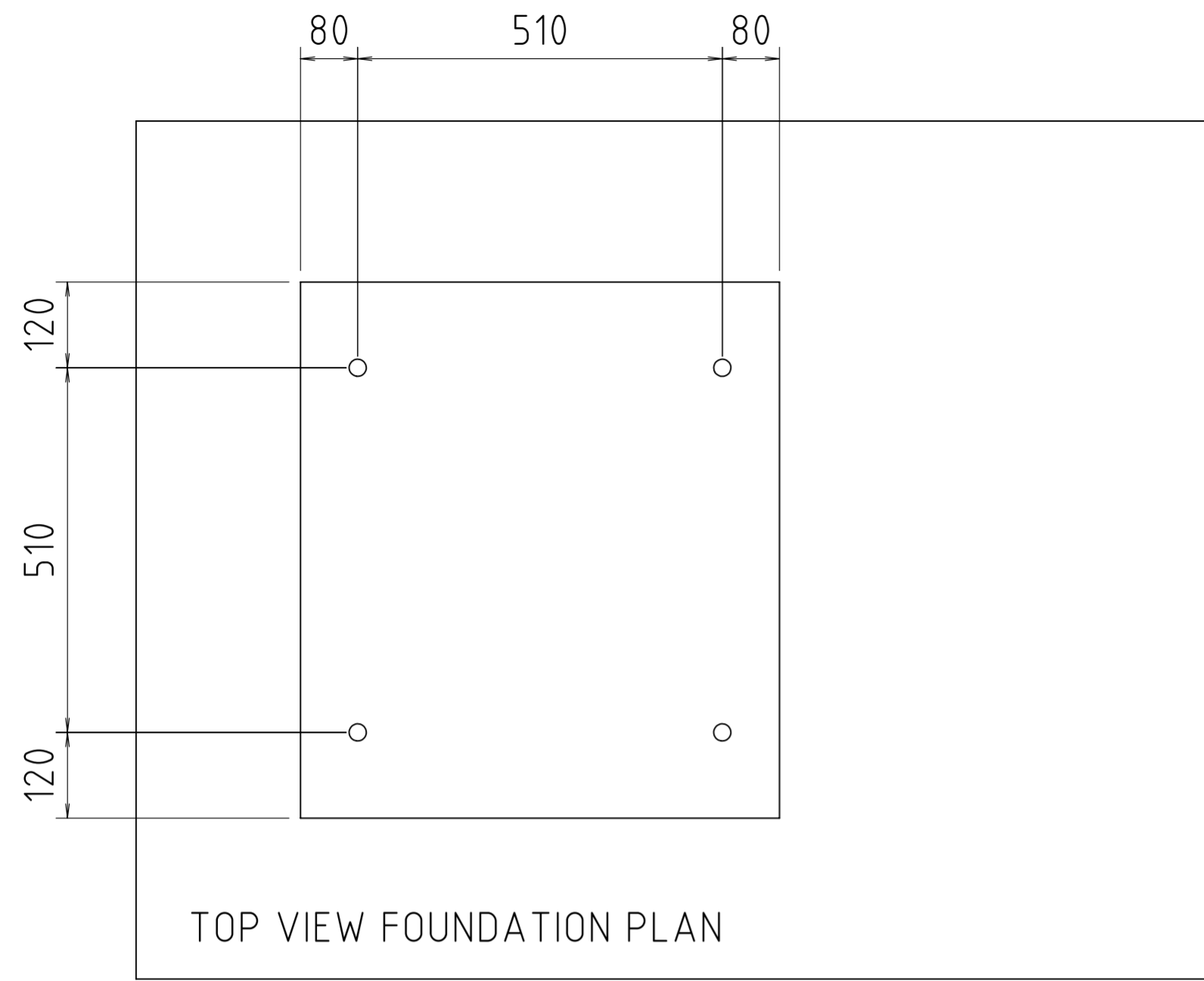


TOP VIEW GATE WITH FOUNDATION



FRONT VIEW GATE WITH FOUNDATION

Date: 09-01-2017	Paper size: A2	Customer: -
Engineer:	Scale: SCALE:1:15	Title:
Revision:		DWG No: 0000- Main assembly Left



Date: 09-01-2017	Paper size: A2	Customer: -
Engineer:	Scale: SCALE:1:8	Title:
Revision:		DWG No: 0000- Main assembly Left